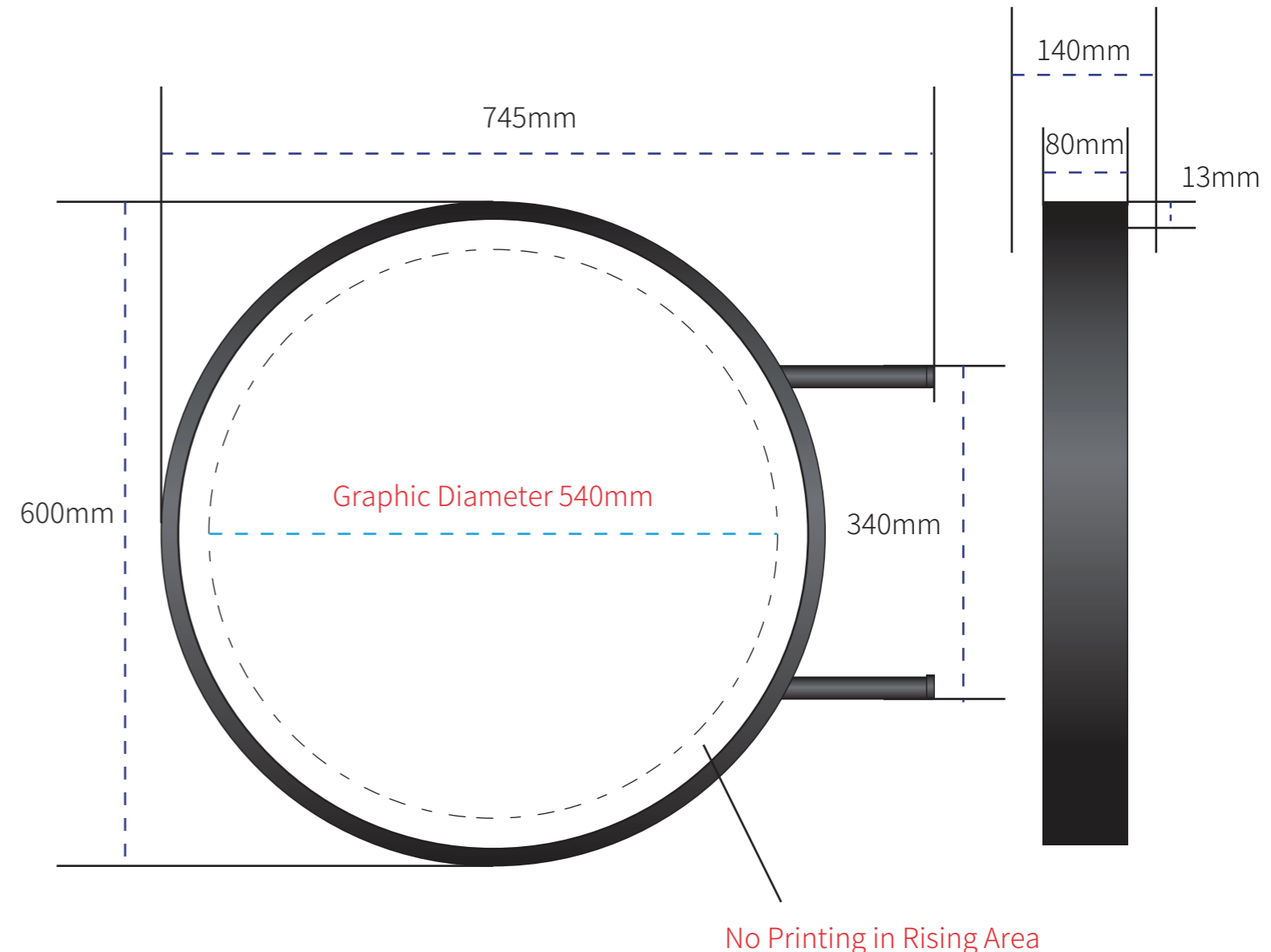


Double Side Aluminum Rounded Light Box (Vacuum Formed Face)

600mm Diameter



Artwork Specifications

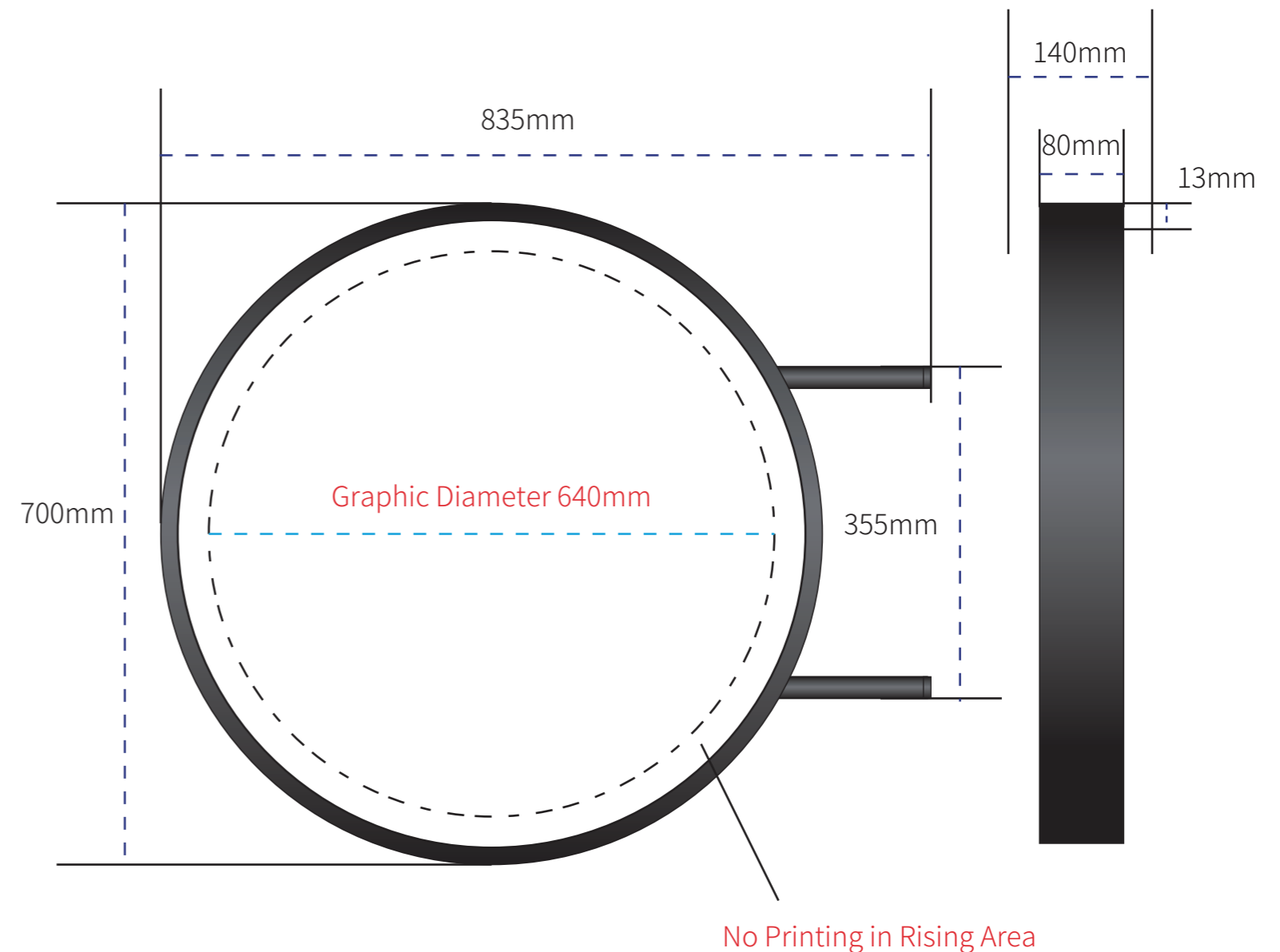
- * All files to be supplied as PDF file
- * All files to be set up as four-colour CMYK not RGB colour mode
- * All fonts must be outlined/converted to paths
- * All images and elements to be embed without trim, crop and registration marks
- * All images within the files must be at least 150dpi or better print resolution
- * Please specify correct proportions if artwork size is not a 100% full size
- * All bleeding requirements according to templates

Sending Your Artwork

- * Email to artwork@acesign.com.au for size less than 20MB
- * Please using (Wetransfer, Google Drive or other free services) to upload your files for larger sizes and sent us the download link.
- * Please specify your invoice number when sending your files

Double Side Aluminum Rounded Light Box (Vacuum Formed Face)

700mm Diameter



Artwork Specifications

- * All files to be supplied as PDF file
- * All files to be set up as four-colour CMYK not RGB colour mode
- * All fonts must be outlined/converted to paths
- * All images and elements to be embed without trim, crop and registration marks
- * All images within the files must be at least 150dpi or better print resolution
- * Please specify correct proportions if artwork size is not a 100% full size
- * All bleeding requirements according to templates

Sending Your Artwork

- * Email to artwork@acesign.com.au for size less than 20MB
- * Please using (Wetransfer, Google Drive or other free services) to upload your files for larger sizes and sent us the download link.
- * **Please specify your invoice number when sending your files**

Double Side Aluminum Rounded Light Box (Vacuum Formed Face)

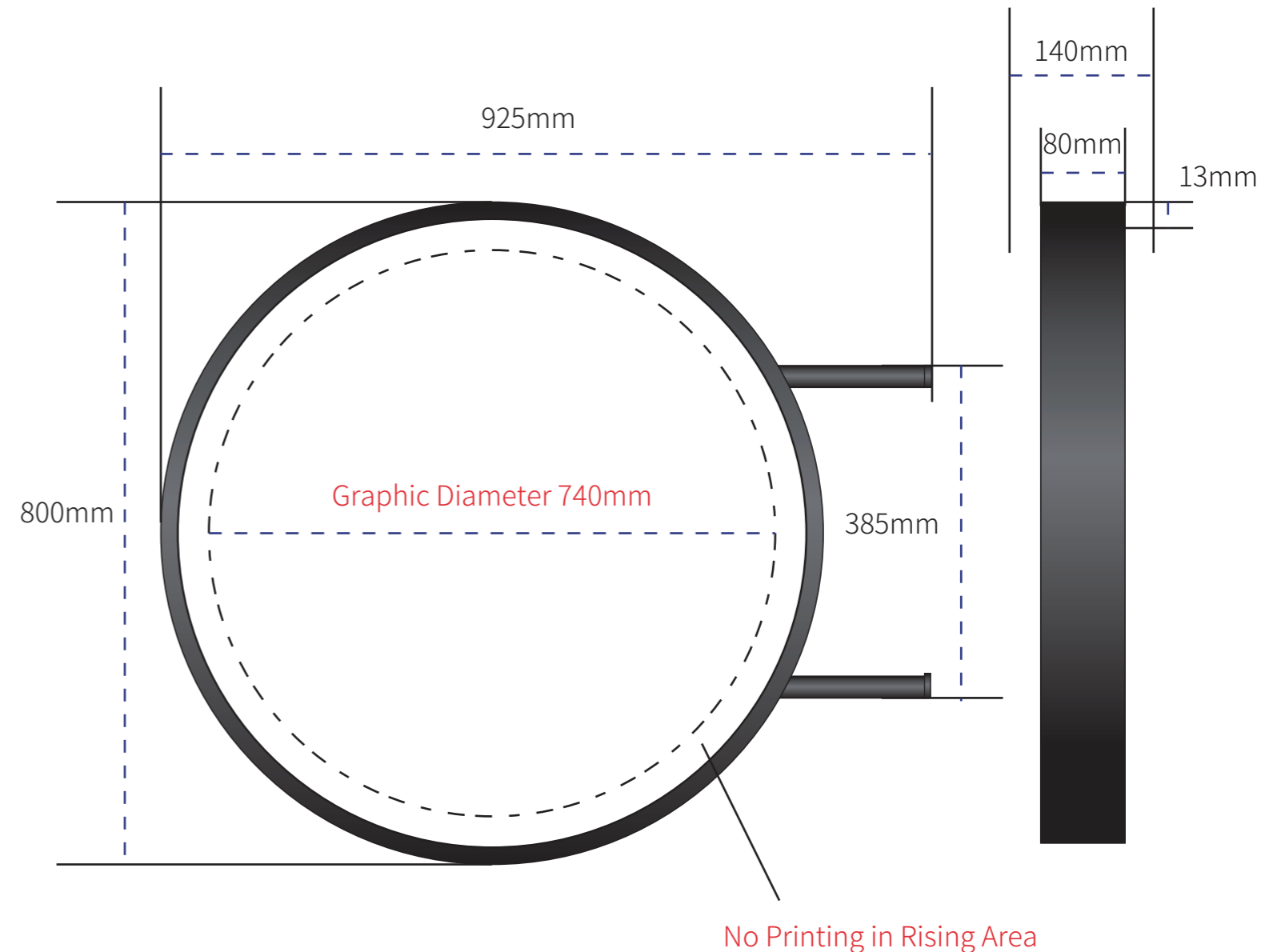
800mm Diameter

Artwork Specifications

- * All files to be supplied as PDF file
- * All files to be set up as four-colour CMYK not RGB colour mode
- * All fonts must be outlined/converted to paths
- * All images and elements to be embed without trim, crop and registration marks
- * All images within the files must be at least 150dpi or better print resolution
- * Please specify correct proportions if artwork size is not a 100% full size
- * All bleeding requirements according to templates

Sending Your Artwork

- * Email to artwork@acesign.com.au for size less than 20MB
- * Please using (Wetransfer, Google Drive or other free services) to upload your files for larger sizes and sent us the download link.
- * **Please specify your invoice number when sending your files**



Double Side Aluminum Rounded Light Box (Vacuum Formed Face)

1000mm Diameter

Artwork Specifications

- * All files to be supplied as PDF file
- * All files to be set up as four-colour CMYK not RGB colour mode
- * All fonts must be outlined/converted to paths
- * All images and elements to be embed without trim, crop and registration marks
- * All images within the files must be at least 150dpi or better print resolution
- * Please specify correct proportions if artwork size is not a 100% full size
- * All bleeding requirements according to templates

Sending Your Artwork

- * Email to artwork@acesign.com.au for size less than 20MB
- * Please using (Wetransfer, Google Drive or other free services) to upload your files for larger sizes and sent us the download link.
- * **Please specify your invoice number when sending your files**

